

### Introduction

- Read this manual before installation and connection.
- Read the "Installation Manual" included with IXG-2C7 or IXG-2C7-L.



Perform installation and connection only after gaining sufficient understanding of the system and this manual.

### Precautions

#### Notice

- The illustrations used in this manual may differ from the actual product.

#### Precautions for mounting

- Do not use an impact driver to fasten screws. Doing so may cause damage to the device.

### Literature information

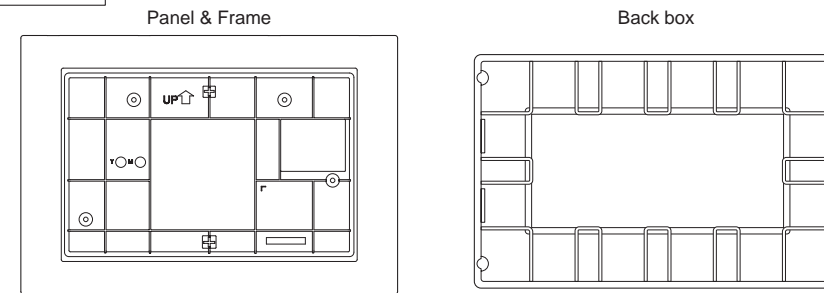
The important information concerning correct operation and what you should observe is marked with the following symbols.



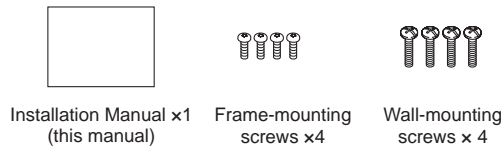
Restricts user actions / provides instructions.

### Part Names and Accessories

Front view



#### Included accessories



### Specifications

#### IXG-FMK-2C7

Mounting	Flush wall-mounted
Materials	Panel: Self-extinguishing resin
	Frame & Back Box: Self-extinguishing plastic
Color	Panel & Frame: White
	Back Box: Black
Dimensions	Panel & Frame: 290 mm (11-7/16") [W] x 199 mm (7-13/16") [H] x 30 mm (1-3/16") [D]
	Back Box: 265 mm (10-7/16") [W] x 169 mm (6-5/8") [H] x 40 mm (1-9/16") [D]
Mass	Panel & Frame: Approx. 320g (0.71 lbs)
	Back Box: Approx. 220g (0.49 lbs)

## How to Install

### Installation of Tenant Station with Flush mount kit

Tenant Station (IXG-2C7, IXG-2C7-L) is sold separately.

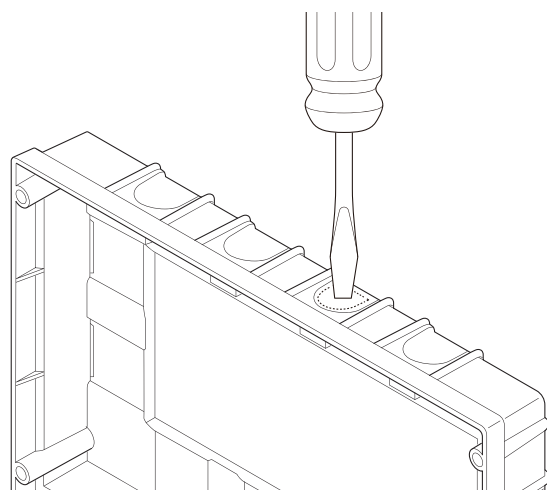


- The installation height of the equipment should not exceed more than 2m (Upper Edge) from the ground level.

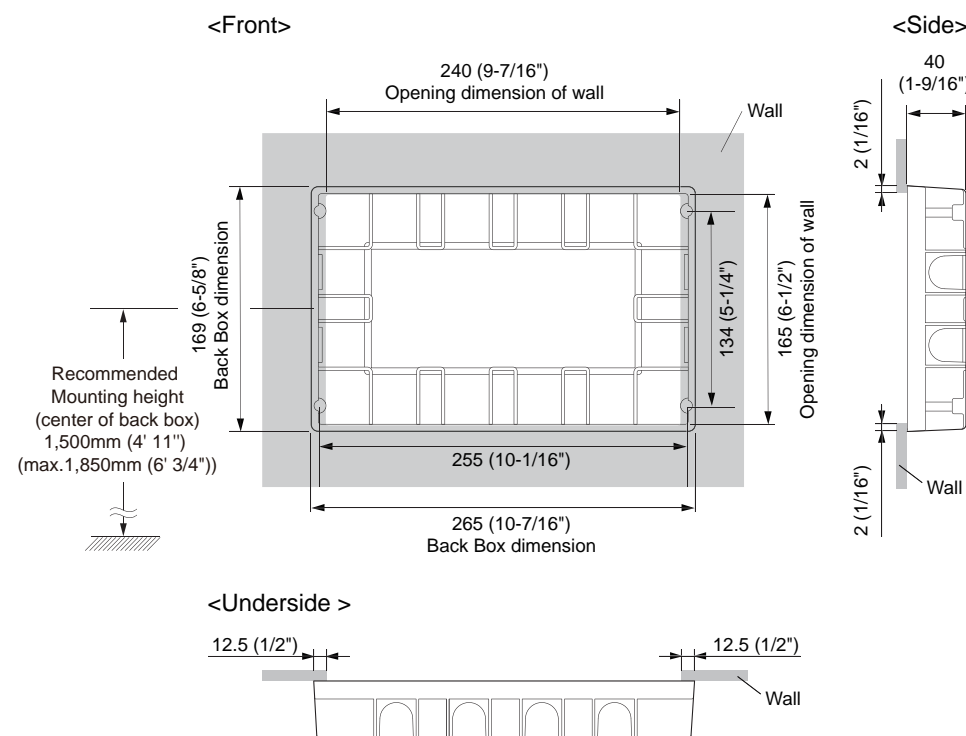
#### Installation of Back Box

##### 1. Make a hole for the cable.

Pass the LAN cable and low voltage cable through the opened hole.



##### 2. Install the back box in the wall.

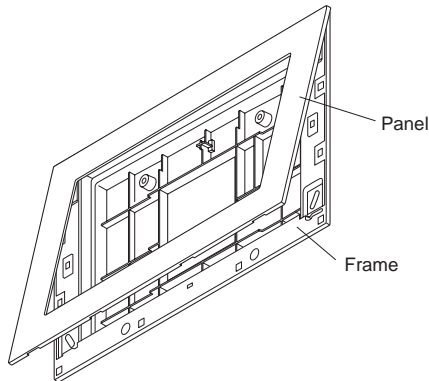


How to install Tenant Station is described on the back.

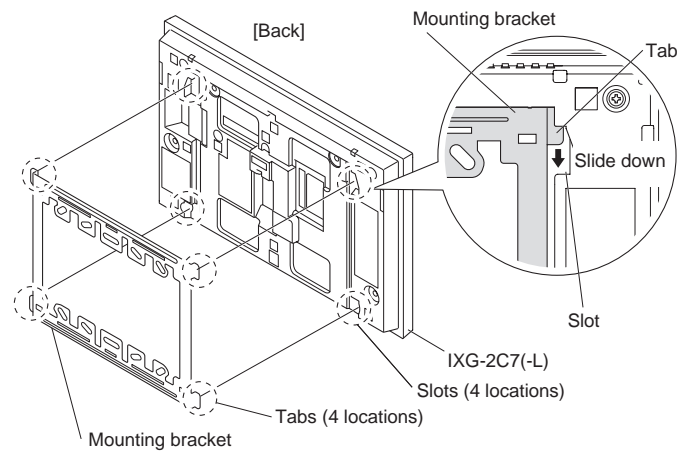
# How to Install

## Installation of Tenant Station

**1**  
Remove the panel from the frame.

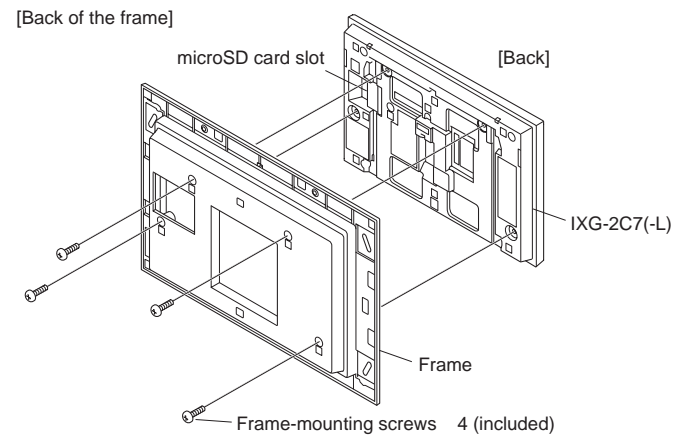


**2**  
Remove the mounting bracket from IXG-2C7(-L).  
Slide the mounting bracket down and remove it.  
\* The mounting bracket is not needed.



**3**  
Position the frame with “UP↑” facing up, and attach the frame to IXG-2C7(-L).

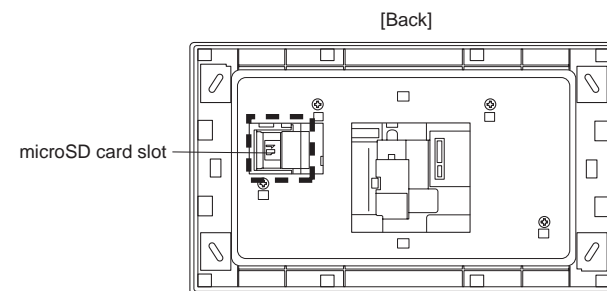
⚠ Be careful not to scratch the monitor when performing attachments.



**4**  
Insert a microSD card into the microSD card slot if recording function is used.

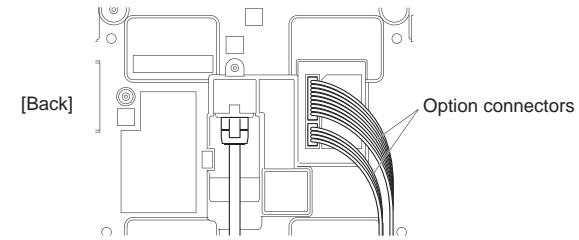
\* If microSD card is not needed, go to step 5.

- (1) Pull the microSD card slot cover to open.
- (2) Insert a microSD card.  
\* Push it in until you hear it click into place.  
\* When you take the microSD card out, push the microSD card until you hear it click, and then remove it.
- (3) Return the cover.



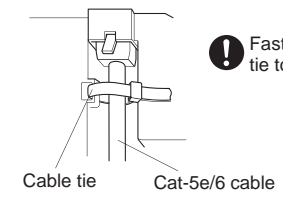
**5**  
Connect the option connectors (included in IXG-2C7(-L)) to the low-voltage lines using crimping method, then insert the option connectors and Cat-5e/6 cable to the station.

\* Refer to the “Installation Manual” of IXG-2C7(-L) for wiring connections.

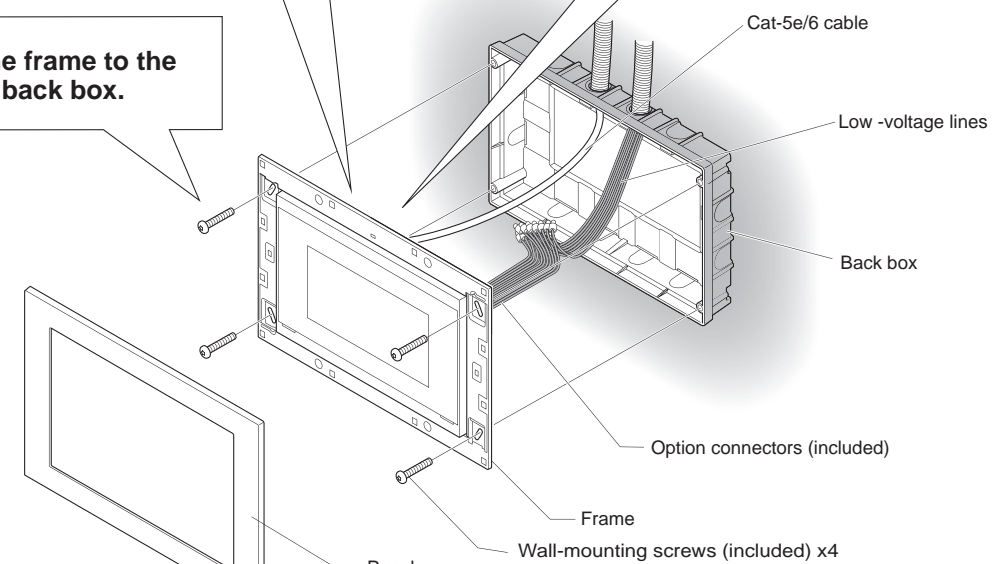


**6**  
Fasten Cat-5e/6 cable to the station with the cable tie (included)

⚠ Fasten Cat-5e/6 cable with cable tie to ensure a good connection.



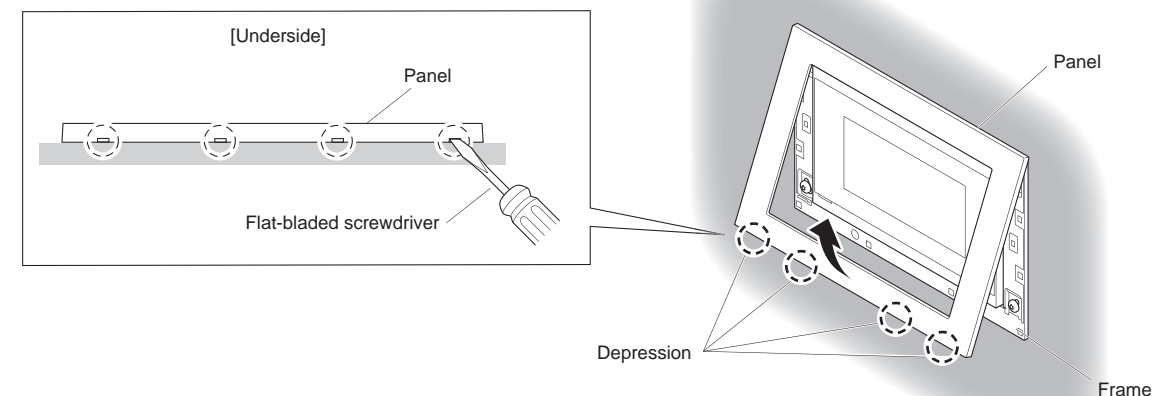
**7**  
Attach the frame to the installed back box.



**8**  
Position the panel with “UP↑” facing up, and press all around the panel to fit it firmly in place.

### How to remove the panel from the installed station

Place a flat-bladed screwdriver in depression at the bottom and pull the panel toward you.



\* Using anything other than the bundled screws may damage the device.